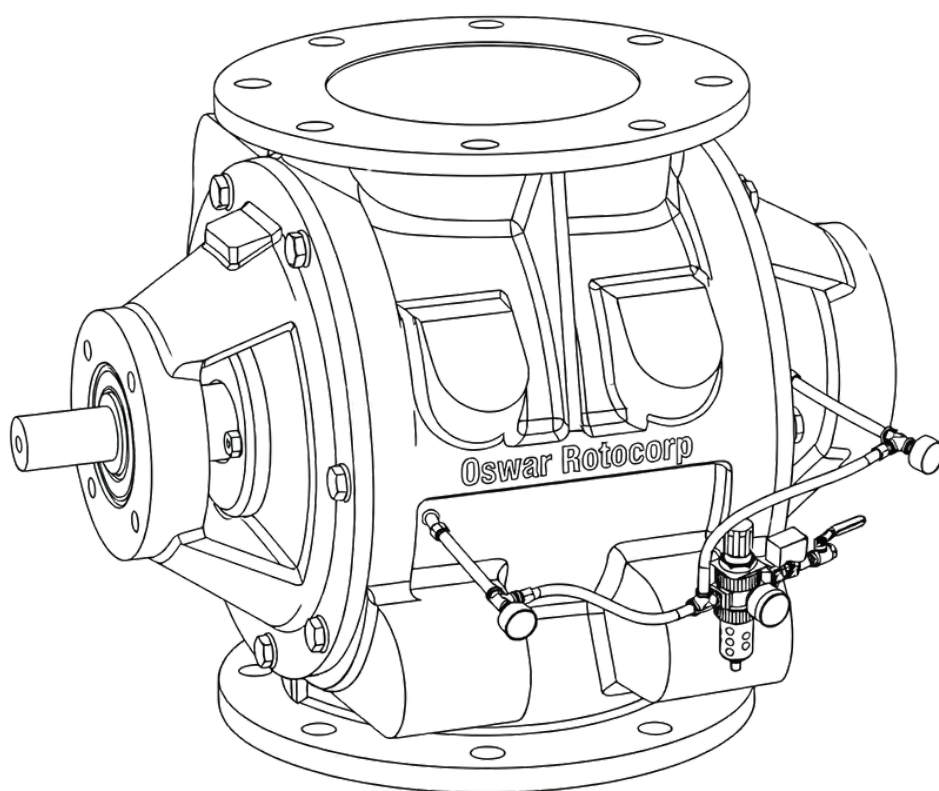



PLASTICS & POLYMER INDUSTRY

RESIN, PELLETS & POLYMER POWDERS



OSWAR
rotocorp



Plastic and polymer manufacturing facilities require precise material feeding and controlled transfer of resins, pellets, masterbatch, additives, and polymer powders. Consistent material flow is essential for extrusion, injection molding, compounding, and blending operations.

Oswar Rotocorp provides engineered flow control solutions designed specifically for resin conveying and polymer processing systems. Our equipment integrates seamlessly into storage silos, conveying lines, feeding hoppers, and blending systems while maintaining discharge accuracy and airlock efficiency.

KEY PROCESS AREAS

RESIN & PELLET
DISCHARGE
SYSTEMS

ADDITIVE &
MASTERBATCH
FEEDING

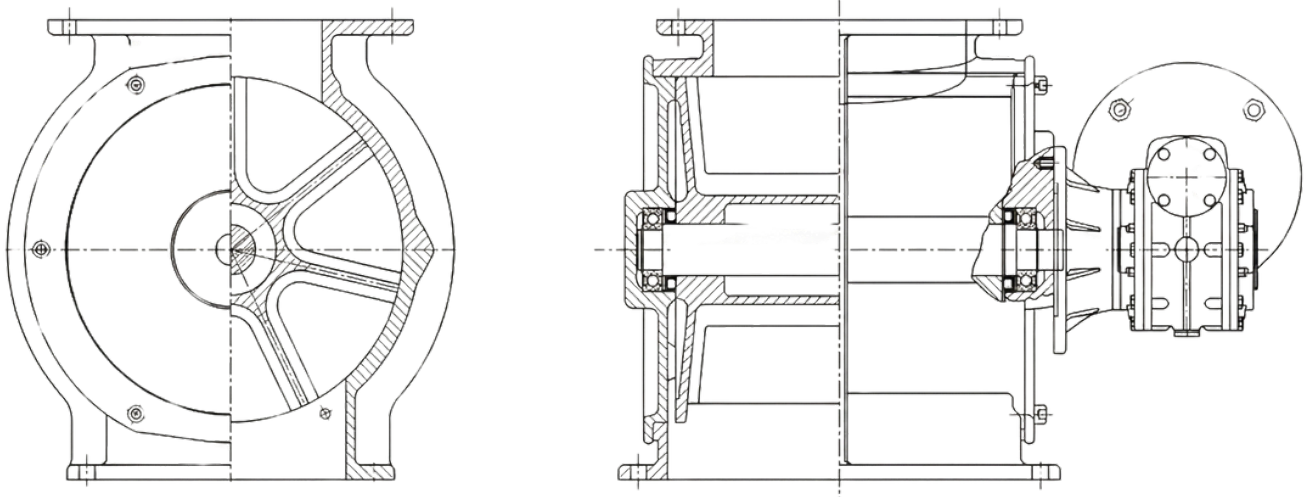
EXTRUSION &
COMPOUNDING
FEED SYSTEMS

SILO & HOPPER
ISOLATION

BUILT FOR CONTINUOUS LOAD & PROCESS PRECISION

Polymer processing applications demand equipment capable of handling granular pellets, regrind materials, and fine polymer powders without degradation or inconsistent flow.

Rotary Valves are engineered with precision rotor geometry and controlled tolerances to ensure uniform discharge and maintain airlock performance in pneumatic conveying systems. Reinforced housings and optimized sealing systems support pressure and vacuum conveying applications.



SOLUTION PORTFOLIO INCLUDES:

- Rotary Valves for Resin & Pellet Handling
- Pneumatic Pressure Rotary Valves
- Precision Feeding Rotary Valves
- Slide Gate Valves for Silo Isolation
- Diverter Valves for Multi-Line Distribution

SUPPORTING EFFICIENT POLYMER PRODUCTION

- **Uniform & Controlled Material Feeding**
- **Reduced Pellet Breakage & Material Loss**
- **Improved Airlock Efficiency in Conveying**
- **Stable Operation Under Continuous Load**
- **Lower Maintenance Frequency**
- **Extended Equipment Service Life**



OSWAR

rotocorp

Corporate Office

Jaipur, Rajasthan India
Nagpur, Maharashtra India

Sales Inquiries

info@oswarrotocorp.com

Helpline

[+44 7917 128505](tel:+447917128505) | +91 77422 36474

Copyright © 2026 OSWAR ROTOCORP. All Rights Reserved. OSWAR® is a registered trademark of **OSWAR ROTOCORP**. This brochure makes no offers, representations or warranties (express or implied), and information and data contained in this brochure are for general reference only and may change at any time.